

THEMED ARCHITECTURAL LIGHTING

Catalog Number
ME*



Fixture Type:

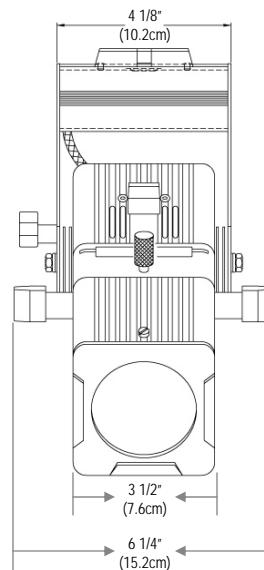
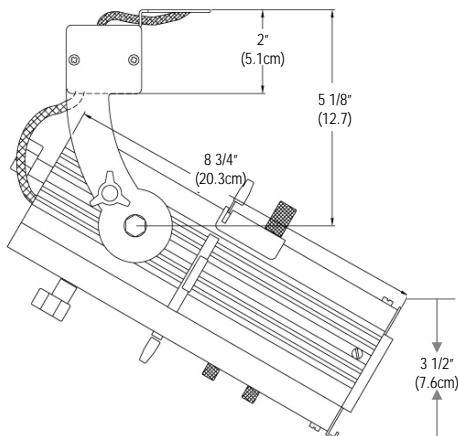
The Micro Ellipse is a lightweight framing spotlight with variable focus ability. Beam angles range approximately from 10° to 35° and field angles from 25° to 50°. Utilizing the long life, low wattage and cost efficient family of MR-16 dichroic reflector lamps these units are ideal for architectural and display applications. Included with each unit are four steel framing shutters to provide beam shaping capability. Integral to the unit is a slot which will accept a pattern holder, optional dual gobo rotator, or beam reducing templates. The Micro Ellipse's small size makes it perfect for museums, retail, restaurant and all architectural venues that require a small ellipsoidal framing projector.

20-75 WATT MR-16 MICRO ELLIPSE

Specifications subject to change without notice.

Features:

- Compatible w/Altman Smart Track™
- Track, Canopy, Stem and Unistrut options
- 25°-50° Zoom Optics
- Attractive extruded aluminum housing
- Tool free lamp centering
- Push-on type two-pin ceramic socket
- Dimmable 75W, 12V short circuit and thermal protected electronic transformer
- Color frame and safety cable included
- U.L., c.U.L., ETL, cETL or CE listed for 75 watts.
- Made in the USA



Optional MAPH-G
Template/ pattern holder



Optional Master Spin
Dual Pattern Rotator

Specifications

Housing: Ribbed aluminum extrusions

Materials: Corrosion-resistant materials and hardware.

Yoke: Laser cut steel yoke with clearance hole for 1/2" bolt.

Lens: Crown glass (white plate) lenses. Movable lenses mounted on lens carriers with Teflon glide bearing.

Socket: GX5.3, with heat shield.

Transformer: 75W, 12V dimmable electronic transformer. Short circuit and thermal protected. Electronic internal resettable protection. Patent pending auto heat regulation that also acts as overload protection. Thermal auto-reset 125°C switch.

Rating: 120 volts A/C operation, .625 amps, 75 watts maximum (220-240 VAC & 277 VAC, 50/60 Hz unit available).

Cable: 6' total length with molded male Edison plug (unless track adapter or other is specified).

Shutters: Galvanized steel, fully adjustable and removable with heat resistant handles.

Lamp Alignment: Tool-free centering and peak-to-flat adjustment.

Lens Focusing: Lens movements contained within body, adjustable with heat resistant knob.

Accessories: External front slot accepts 3-3/8" square x 1/8" thick accessories. Internal pattern slot accepts size E (37.5mm) patterns with Altman pattern holder pt # **MAPH-G** or Master Spin dual-rotator.

Finish: Black, White or Silver TGIC polyester, electrostatic application. Custom colors available.

Weight: Approx: 4.5 lbs. (2 kg.)

Part Number: ME-*.***			
Model	Voltage	Color*	Additional Factory Installed Option**
ME	120	Black	See Below
	220	White	
	277	Silver	
		Custom	

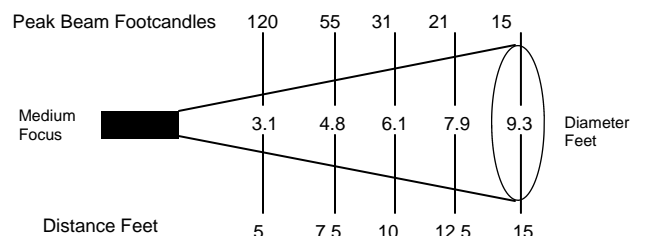
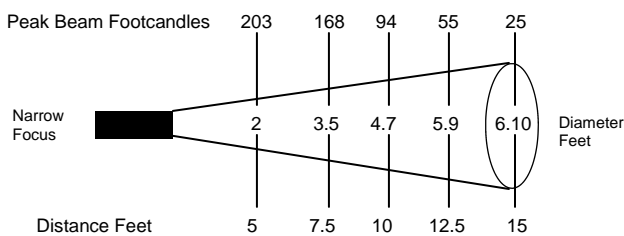
Accessories Supplied with LUMINAIRE	
MCF MSC	Color Frame 3 3/8" X 3 3/8" Mini Safety Cable

Additional Accessories	
MBD	4-way Barn Doors
MECT	Beam Reducing Circle Template
MA-DN	3-3/8" x 3-3/8" Donut, Black with 1-3/4" Opening
MAPH-G	Pattern Holder, 1/ 1/4" Dia. Opening-"E Size" Accepts Glass and Metal Pattern Holders
MSPIN-110	MasterSpin Vaiable Speed Bi-Directional Dual Gobo Rotator, 120 VAC
MSPIN-220	MasterSpin Variable Speed Bi-Directional Dual Gobo Rotator, 220 VAC
510-F	Light Duty Flat Steel Pipe Clamp: for 1/4" to 1-1/2" Pipe
510	Malleable Iron Pipe Clamp: 3/4" to 1-1/2" Pipe, includes 1/2" Bolt
MEGA-CLAMP-*	Extruded Aluminum Clamp for 3/4" to 2" Pipe, includes 1/2" Bolt *Specify Black or Silver
MINI-CLAMP*	Extruded Aluminum Clamp for 1/2" to 1-1/2" Pipe, includes 3/8" Bolt *Specify Black or Silver
MICRO-CLAMP*	Extruded Aluminum Clamp for 3/8" to 1" Pipe, includes 5/16" Bolt *Specify Black or Silver

**Additional Factory Installed Options to Follow Basic ME-* part number	
-Y	Two Circuit Smart Track adapter installed with Quartz SCR DMX/RDM addressable dimmer.
TLA-E166	Nordic Eco 1 Circuit Track Adapter
TLA-TEK100	Nordic Spec Grade 2 Circuit Track Adapter
TLA-GA100UL	Nordic Spec Grade 3 Circuit Track Adapter
TLA-L	Lightolier Lytespan 1 Circuit Track Adapter
TLA-H	Halo 1 Circuit Track Adapter
54-SVT183-24CC	Coiled Cord with Edison Connector—24" retracted, 6 foot extended Factory installed
Canopy	5" Diameter Canopy with universal mounting bracket
Unistrut	Unistrut bracket installed—spring nuts by others
Stem	Custom Stem to Canopy mount available—Max length 6'

LAMP INFORMATION				
Lamp Type	Watts	Volts	Rated Life (hrs)	Correction Factor
EYJ	75	12	4000	1.00
EYC	75	12	4000	1.00
EXT	50	12	5000	.79
EXN	50	12	5000	.79
EZK	20	12	4000	.22
BAB	20	12	4000	.22

Micro Ellipse



PHOTOMETRIC DATA FOR EYC LAMP
Actual Photometrics Differ Slightly Among Lamp Manufacturers